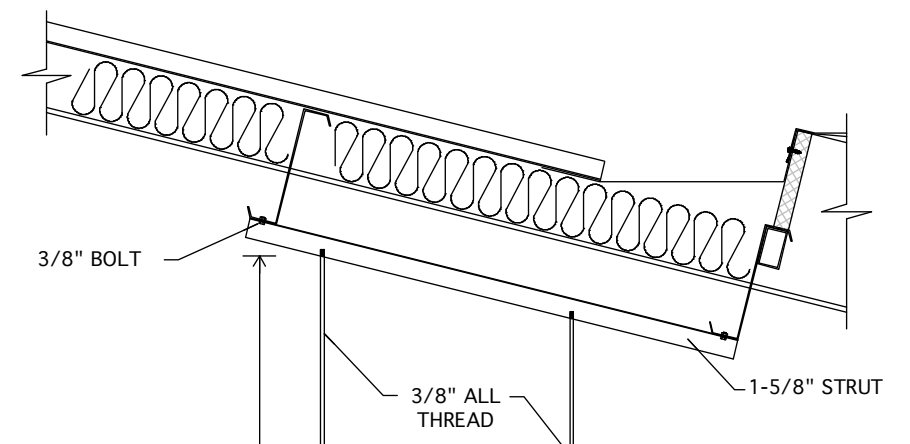


WEIGHT INFO  
 (10) REELS/BRAKET @ 73#/EA. = 730.00#  
 (1) 9"x12"x3/16" PLATE @ 7.66#/FT = 68.94#  
 19.5 LN. FT. 3"x3"x120 WALL TUBING @ 4.75#/LN. FT = 92.63#  
 TOTAL WEIGHT = 891.57#

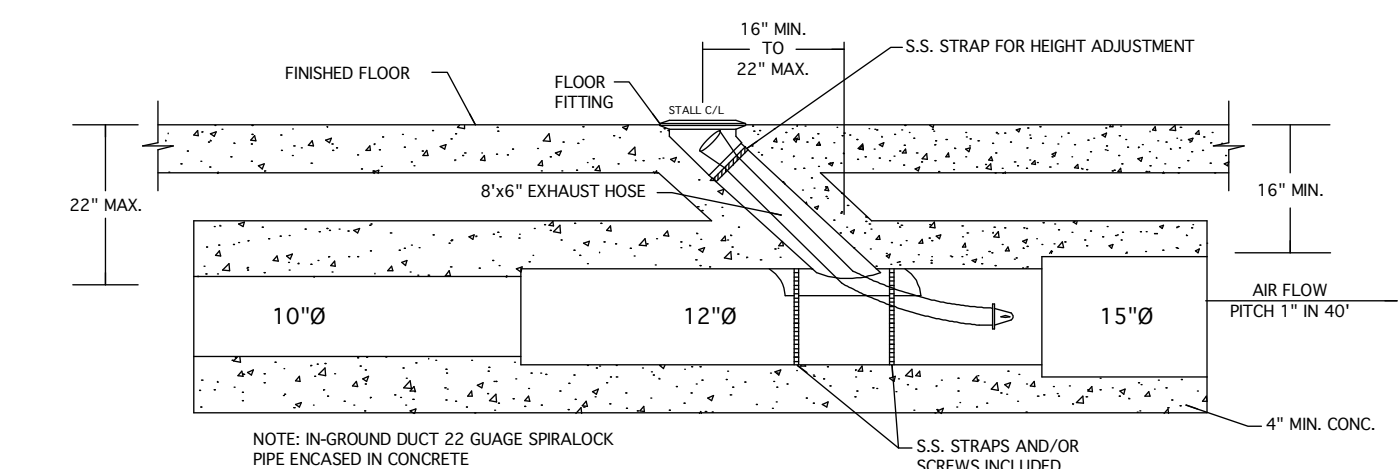
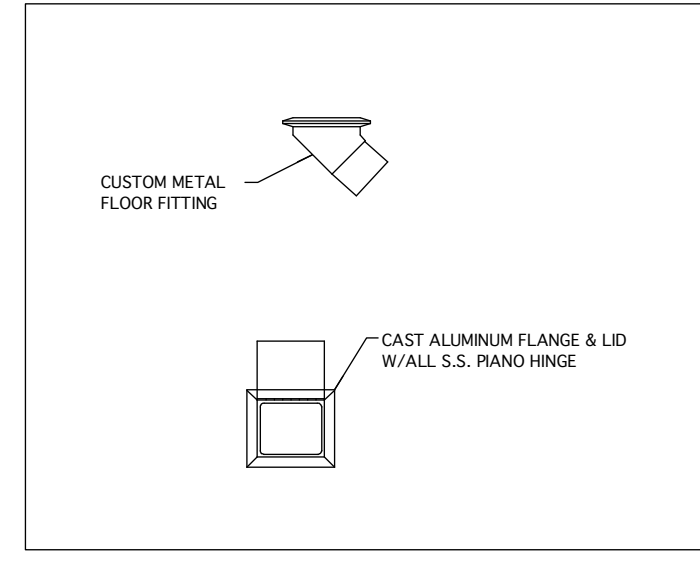
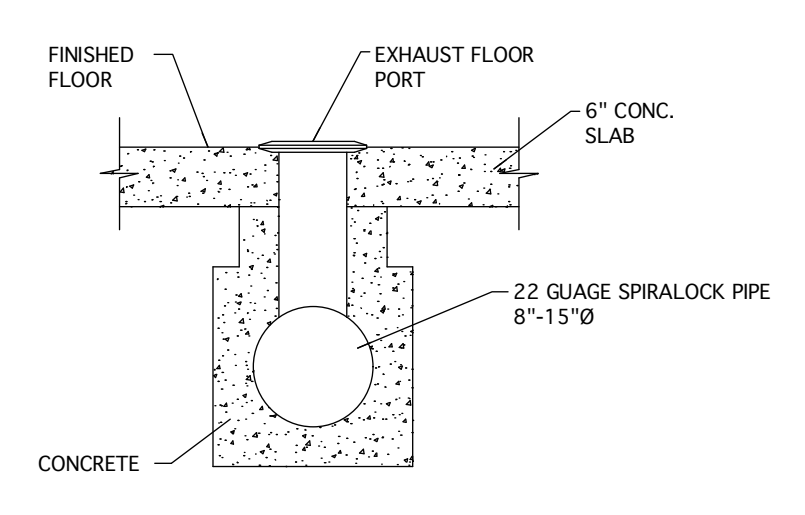
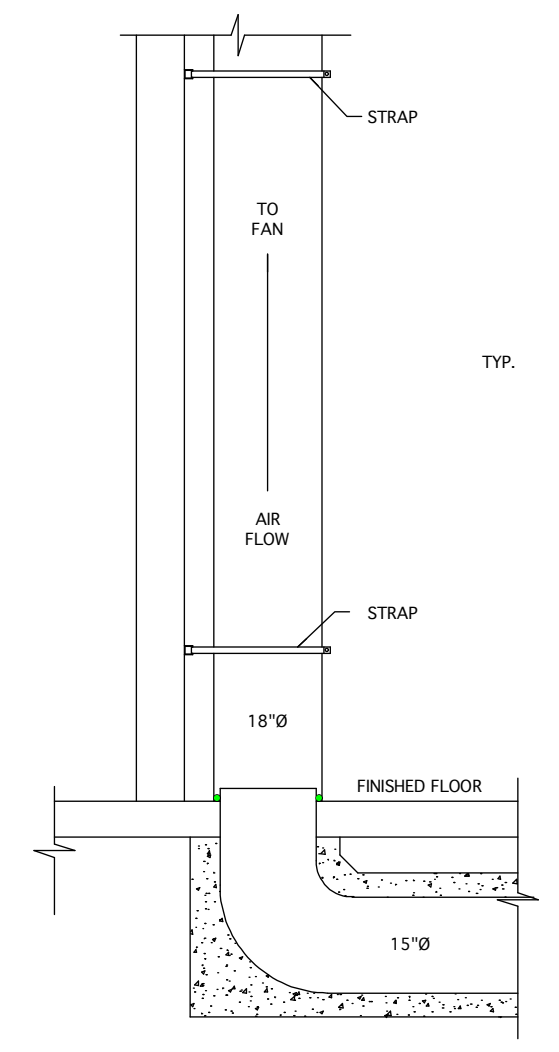
1 REEL BRACKET DETAIL



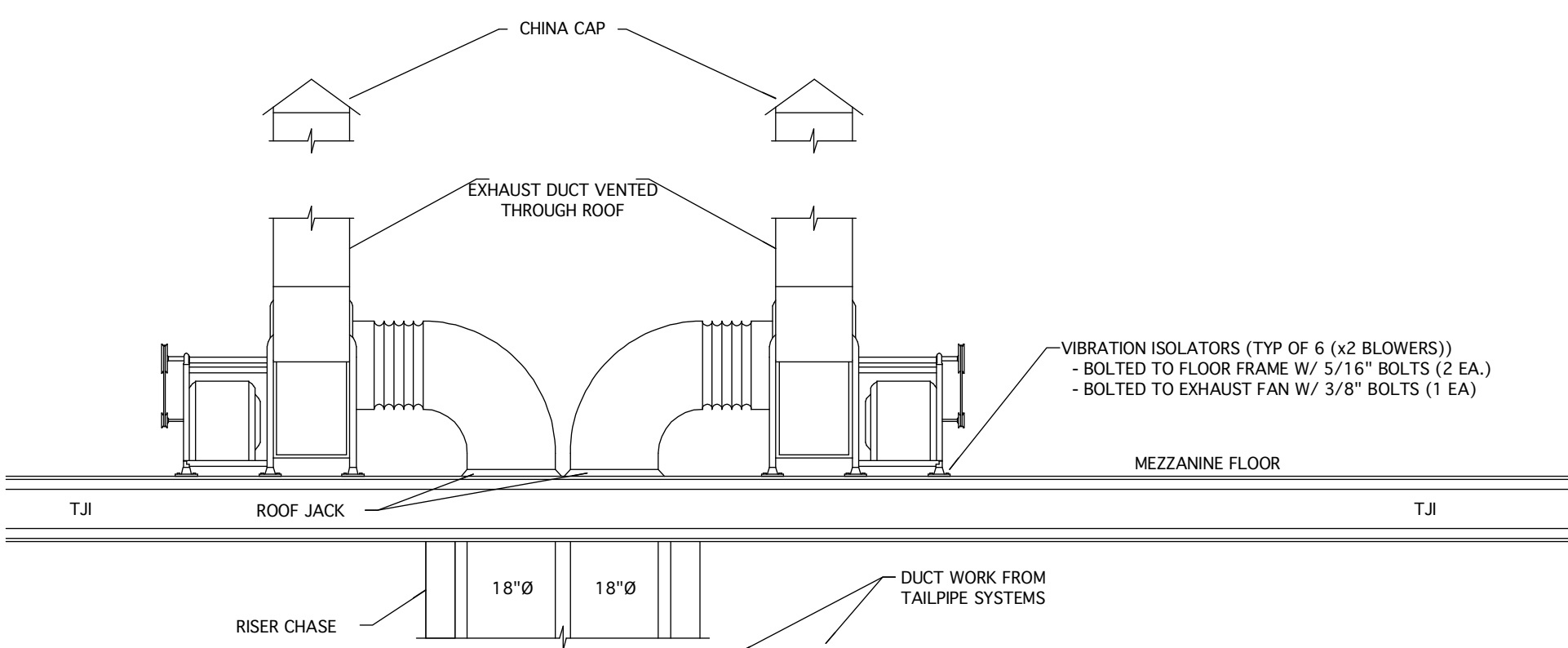
- 1. 1" COPPER WATERLINE .839 #/FT
- 2. 3/4" HYDROTUBE - E01 .683 #/FT
- 3. 3/4" HYDROTUBE - E02 .683 #/FT
- 4. 3/4" HYDROTUBE - E03 .683 #/FT
- 5. 3/4" HYDROTUBE - E04 .683 #/FT
- 6. 1" HYDROTUBE - GREASE .867 #/FT
- 7. 1-1/2" COPPER AIRLINE 1.36 #/FT
- 8. 1-1/2" WASTE OIL COPPER 1.36 #/FT

NOTE:  
 1. TRAPEZE TO BE SPACED @ 8' O.C.  
 2. TRAPEZE TO BE BRACED @ 16' O.C.  
 \* PIPING TO REMAIN AT LEAST 4' AWAY FROM INFRARED HEATERS

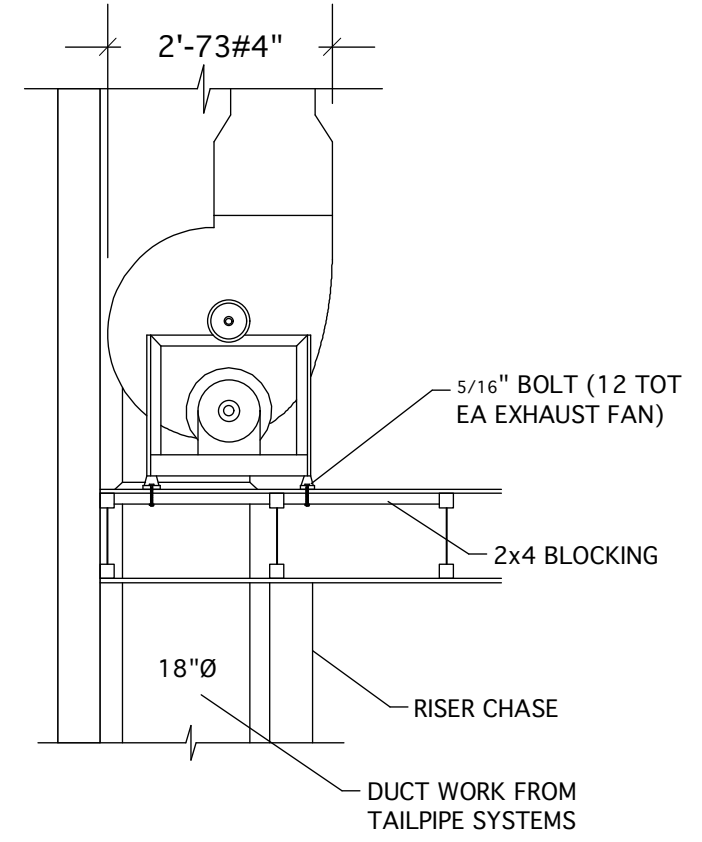
2 PIPE TRAPEZE DETAIL



3 EXHAUST SYSTEM DETAIL

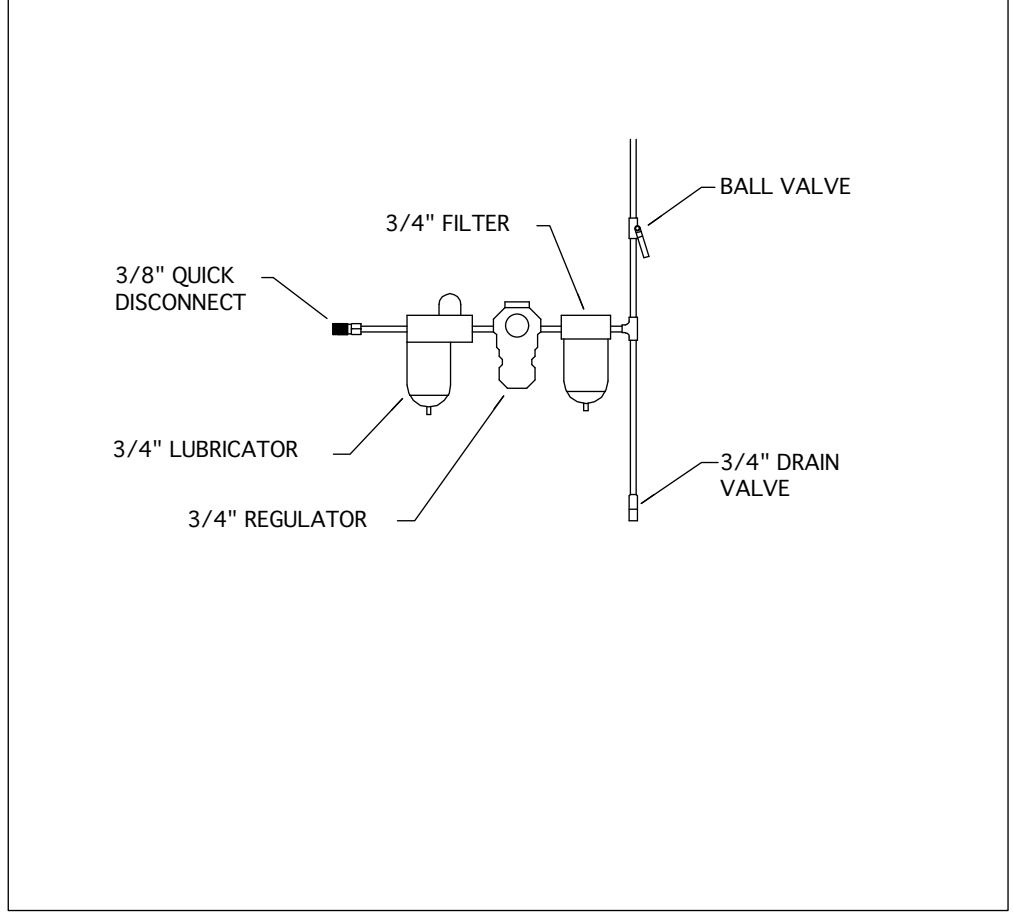
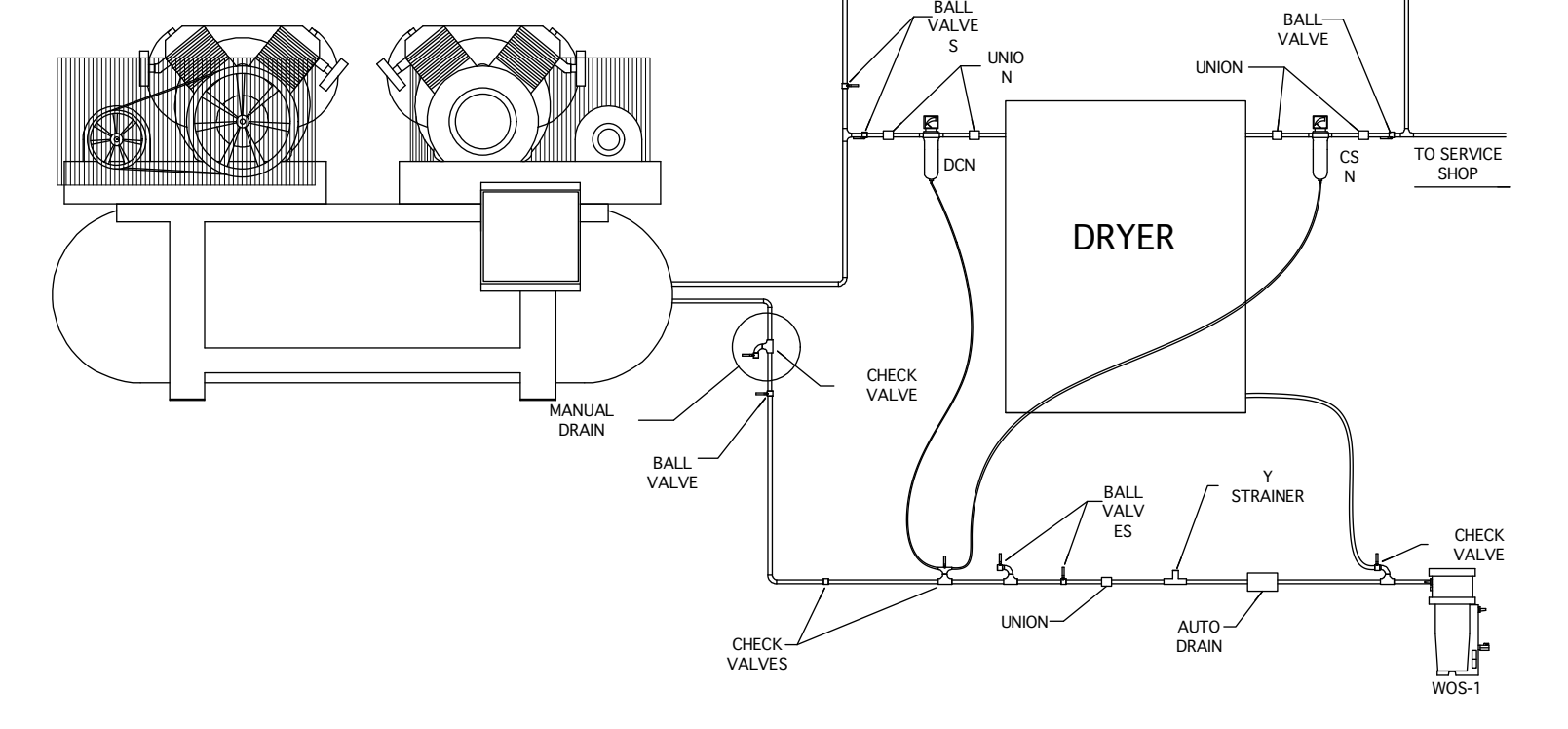
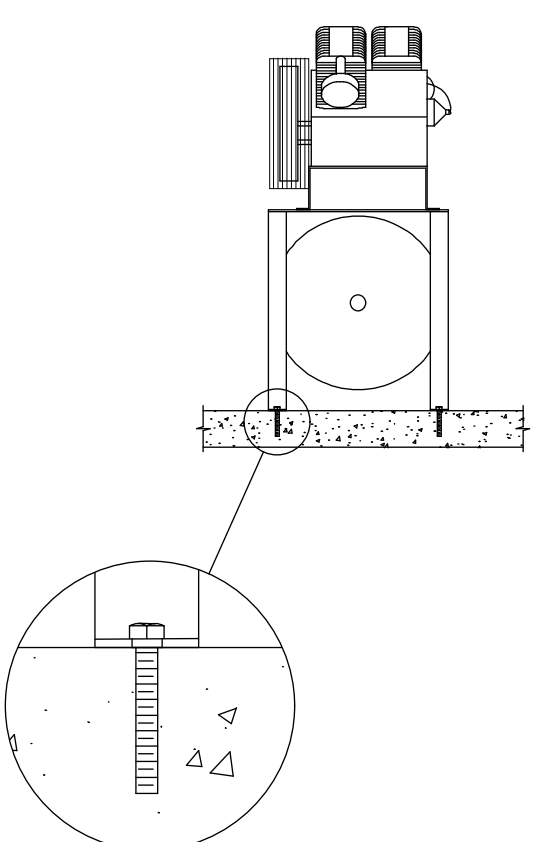


(2) BD-15 EXHAUST FANS - 315# EACH  
 EACH BLOWER: 31 3/4"x39 3/4"



4 EXHAUST FAN DETAIL

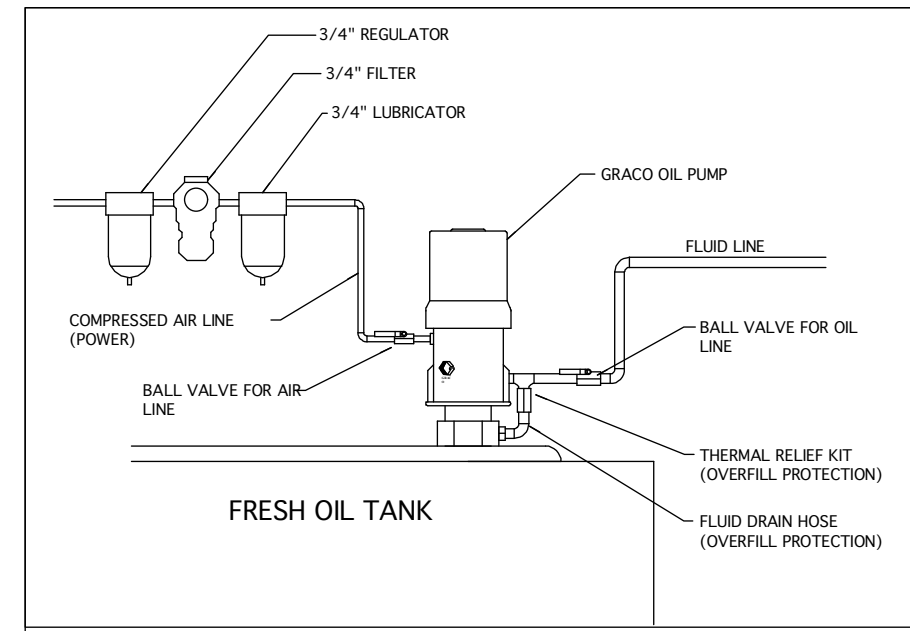
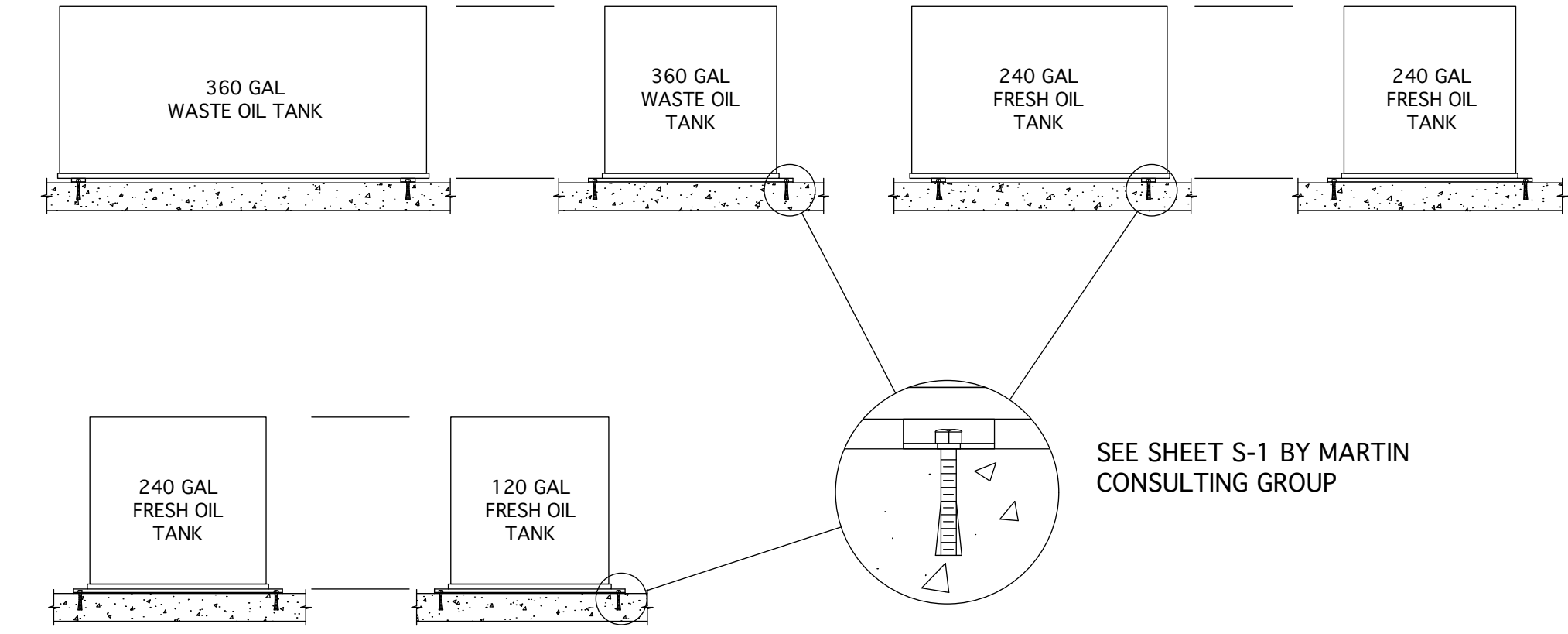
QUINCY COMPRESSOR WEIGHT: 1900#



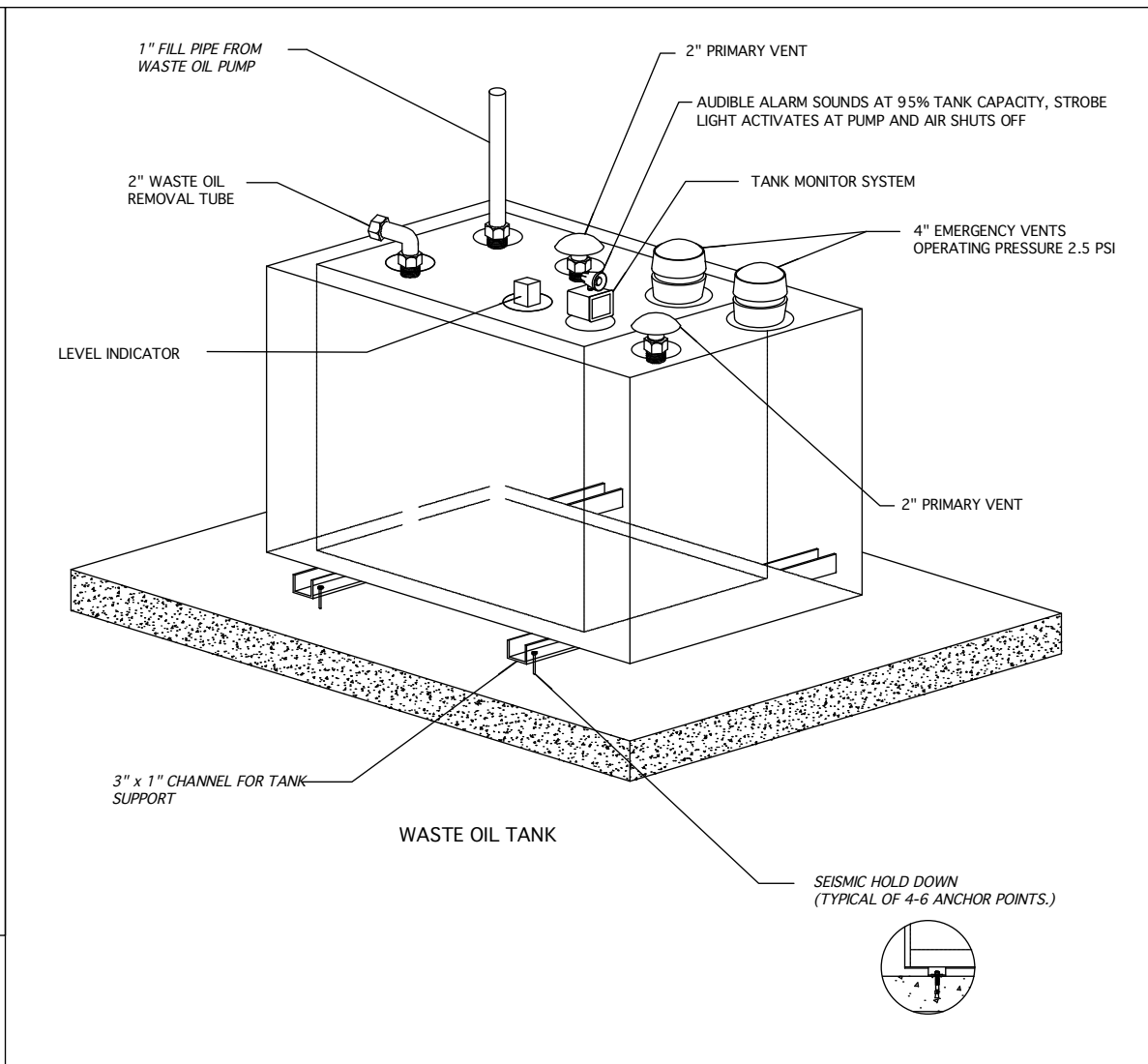
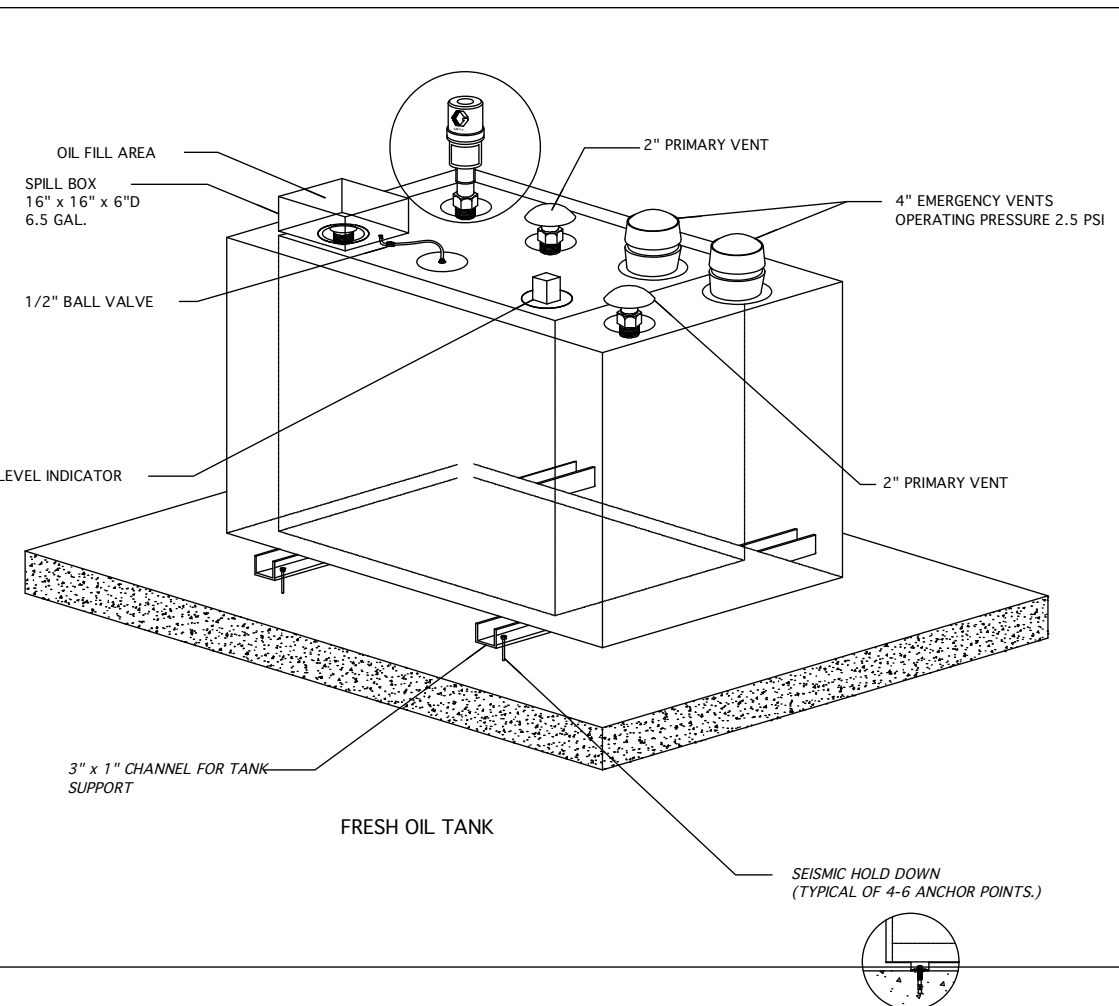
5 COMPRESSOR ANCHORAGE & AIR SYSTEM DETAIL

GENERAL TANK WEIGHT - CONTAINMENT SOLUTION TANKS

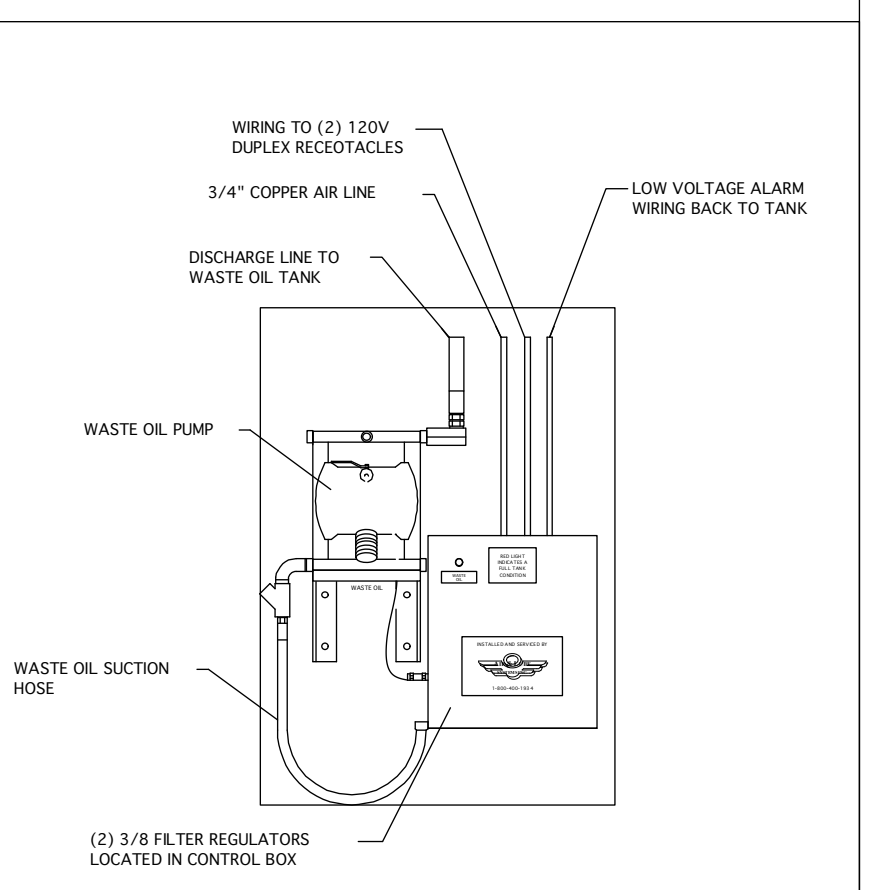
TANK SIZE	360 GAL.	240 GAL.	120 GAL.
EMPTY TANK WEIGHT	840 LBS.	760 LBS.	485 LBS.
LUBE OIL WEIGHT = 8#/GAL	2880 LBS.	1920 LBS.	960 LBS.
FULL TANK WEIGHT	3720 LBS.	2680 LBS.	1445 LBS.



FRESH OIL SYSTEM



WASTE OIL SYSTEM



6 OIL STORAGE TANK DETAILS