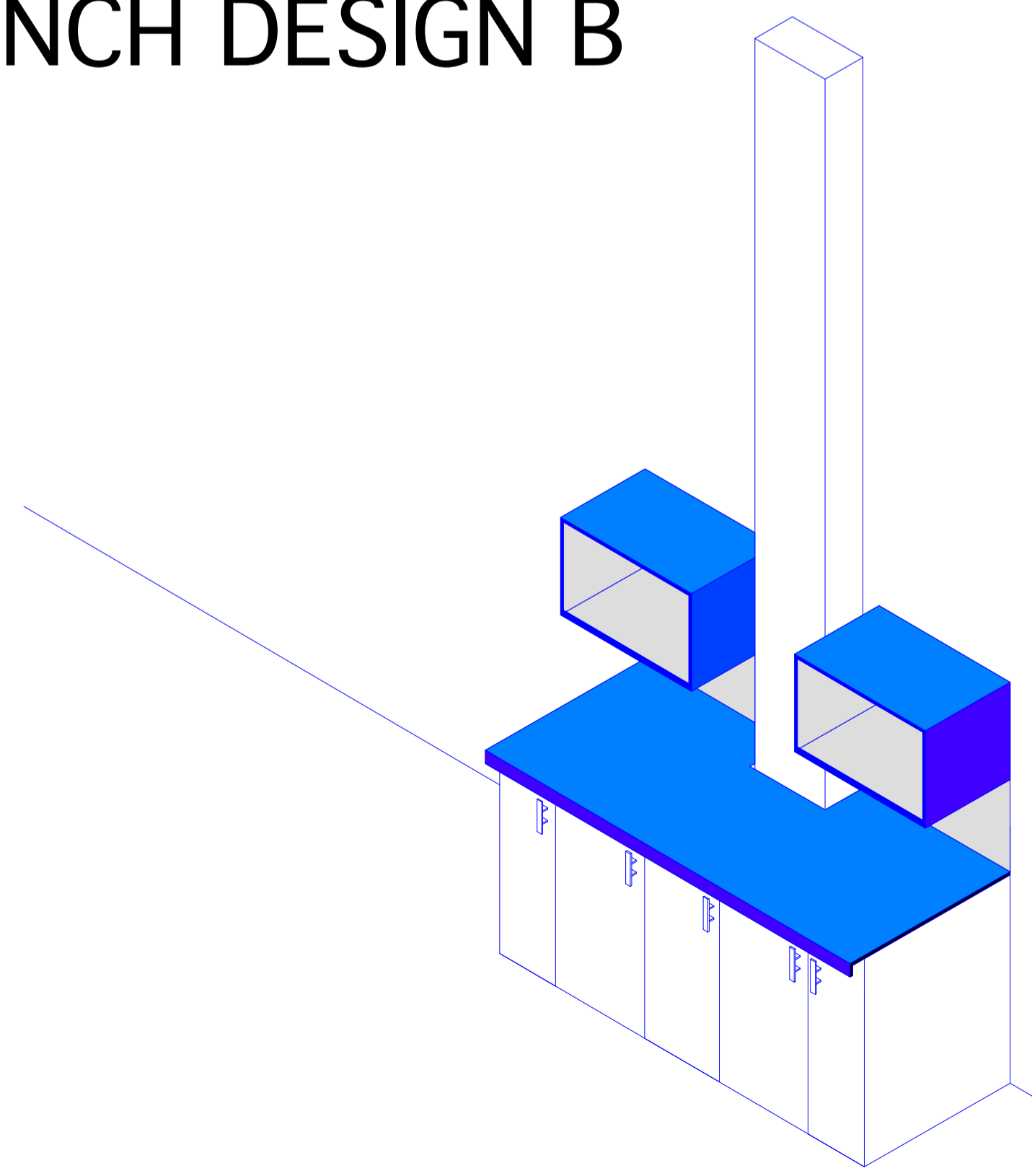
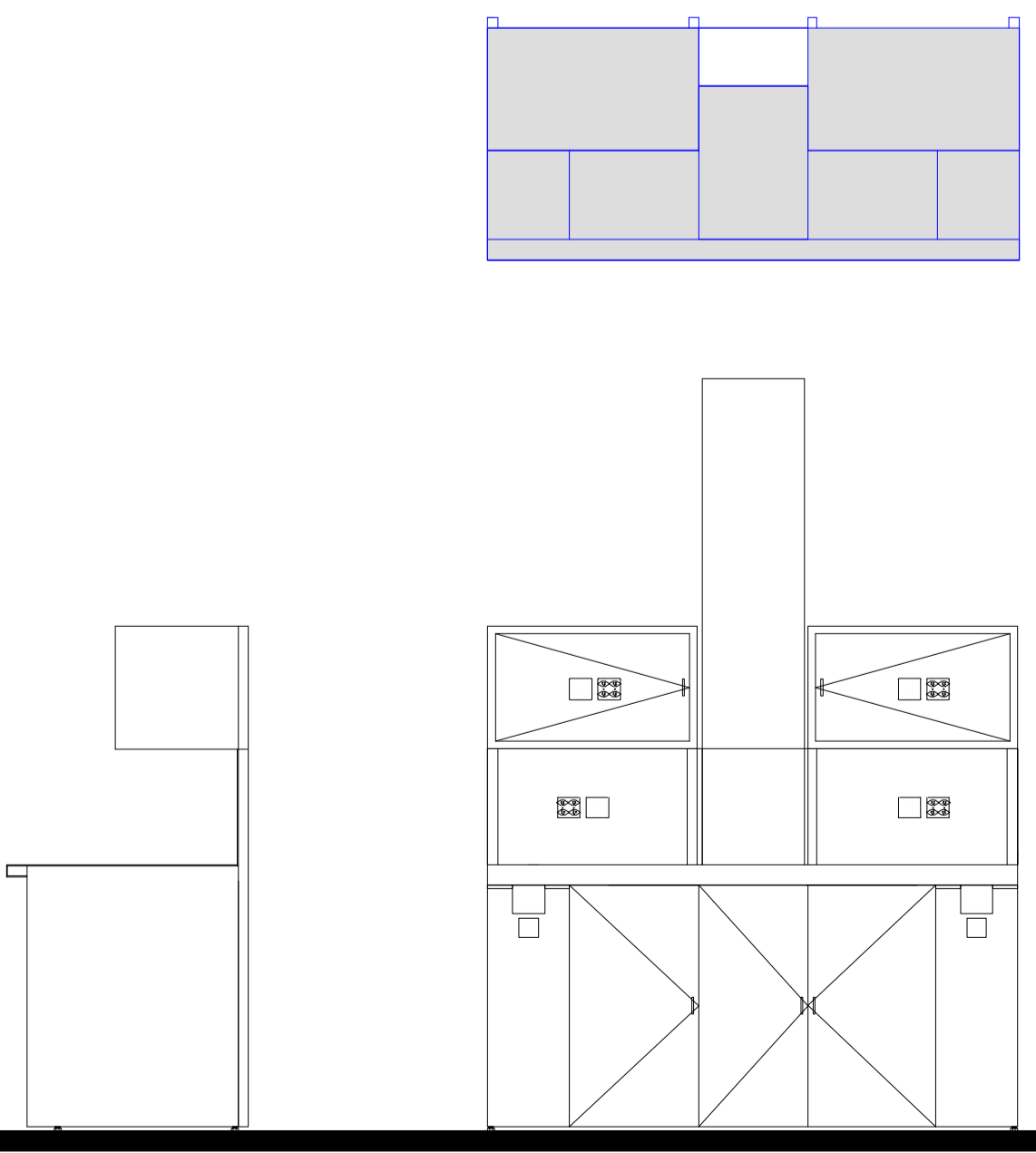


WORK BENCH DESIGN A



WORK BENCH DESIGN B



AIR & LUBE SYSTEMS, INC.  
 8530 FRUITRIDGE RD., SUITE 1  
 SACRAMENTO, CA 95826  
 PHONE: (916) 381-5588  
 FAX: (916) 381-5522  
 TOLL FREE: 800-400-1934  
 E-MAIL: [CAD@AIRANDLUBE.COM](mailto:CAD@AIRANDLUBE.COM)

FLOOR PLAN WITH CUSTOM WORK BENCHES